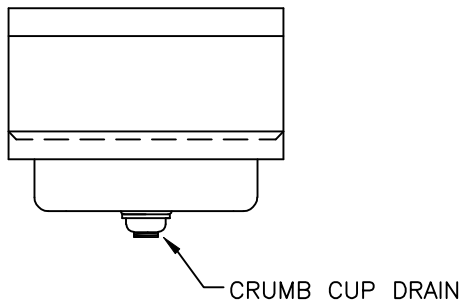
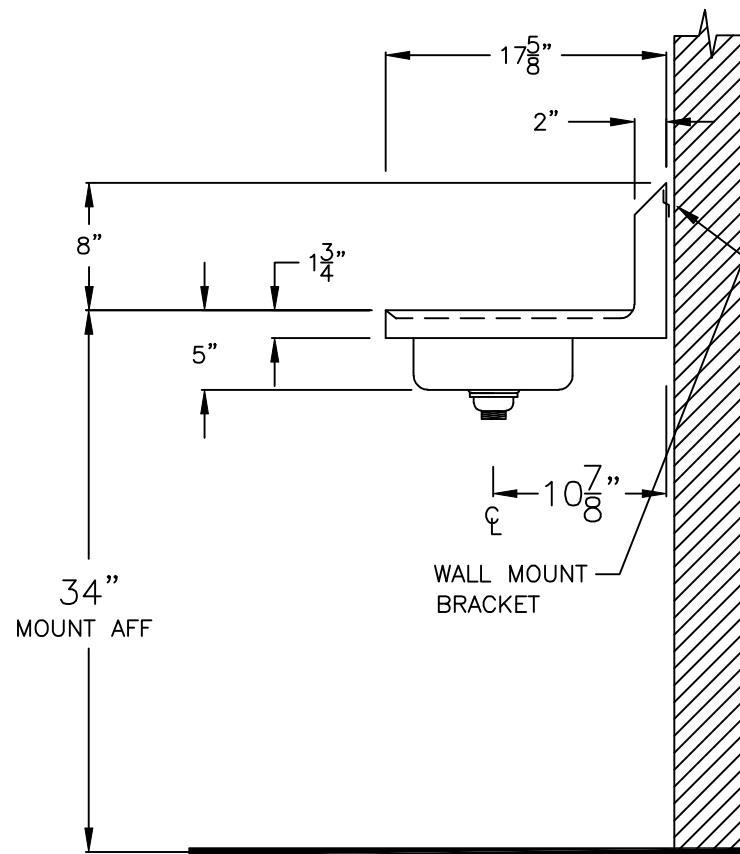


PLAN VIEW



FRONT ELEVATION



END VIEW

SPECIFICATIONS	
18 GA. 304 STAINLESS STEEL CONSTRUCTION	

ACCESSORIES	
CRUMB CUP DRAIN 1 1/2" NPS	
WALL MOUNT BRACKET	

DH-24 HANDSINK			
Item Description: WALL MOUNT HANDSINK			
Sheet Description:			
Item #	Date: 2006	Engineer: RAH	
Sales Order #	Drawing # MMS-1090	Sheet #	

Amtekco
INDUSTRIES, INC.

MANUFACTURERS OF QUALITY PRODUCTS FOR THE FOOD MARKETING INDUSTRY
1205 Regusa Road, Columbus, Ohio 43207
(614) 228-8690 Fax (614) 737-8016